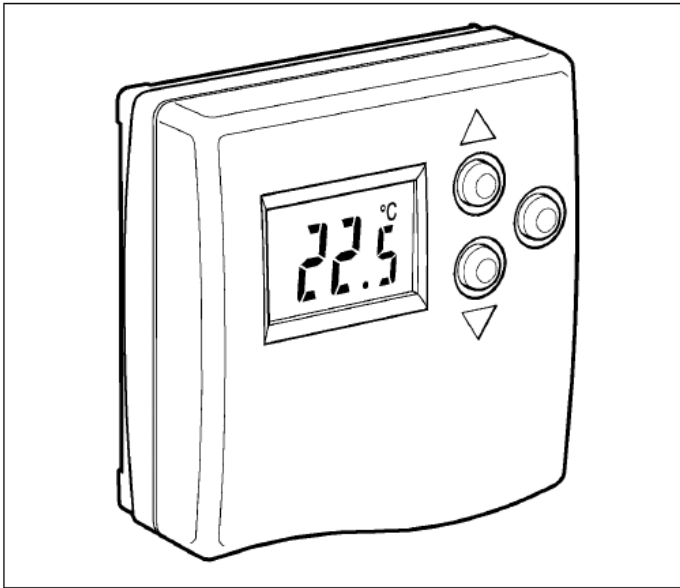


T6620B1024 *DT*200 DIGITAL ROOM THERMOSTAT

PRODUCT SPECIFICATION SHEET



The DT200 room thermostat is designed to provide automatic temperature control of heating systems in villas and apartments.

It can be used to control heating boilers, circulation pumps and zone valves.

The DT200 has a simple user interface with two buttons and large digital display.

The DT200 is CE approved.

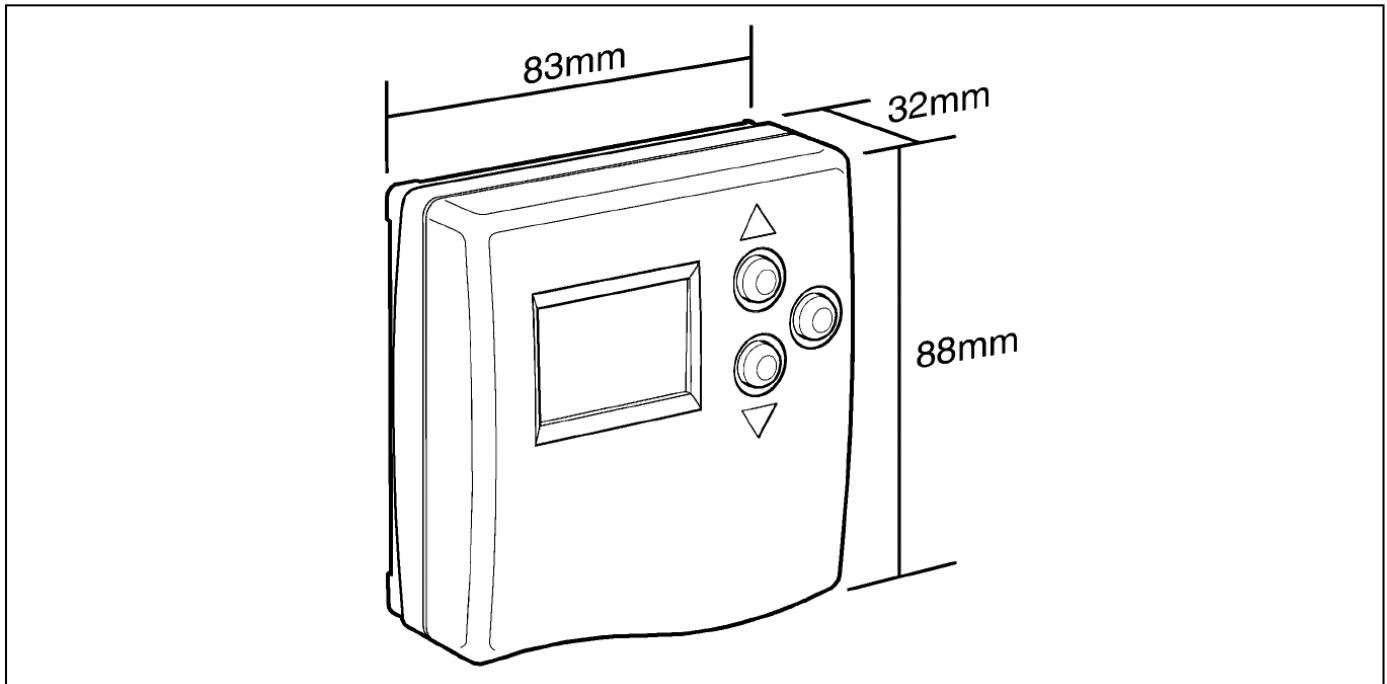
FEATURES

- Attractive modern styling, blends well with any room decor
- Large and clear digital display providing room temperature and setpoint information
- Simple user interface
- Temperature setting procedure eliminates the risk of accidental setpoint change
- 5 to 35°C setpoint range with 0.5°C increments
- Room temperature inquiry
- On/off switch
- Battery powered by 2 AA size (LR6) alkaline cells
- Minimum 1 year battery life with low battery warning
- 24...230 V SPDT potential free contacts for simple 2-wire installation
- 8 A resistive, 3 A inductive switch rating
- Default setpoint of 21°C
- Surface or wall-box mounting options
- Sensor fault self-diagnostics

SPECIFICATIONS

Batteries	: 2 x 1.5 V IEC LR6 (AA) Alkaline cells	Minimum ON/OFF period	: 20 sec minimum
Battery life	: minimum 1 year	Wiring	: Terminal block capable of accepting wires up to 2.5 mm ²
Switch type	: SPDT (potential free)	Wire access	: rear, right, left, above or below
Electrical rating	: 230 V~, 50...60 Hz, 0.1 A to 8 A resistive; 0.1 A to 3 A inductive (0.6 pf) 24 V~, 50...60 Hz, 0.5 A to 8 A resistive 0.5 A to 3 A inductive (0.6 pf)	Dimensions	: 83 x 88 x 32 mm (w x h x d)
Temperature setting range	: 5 to 35°C in 0.5 K steps	Environmental	: Operating temperature range 0 to 40°C Shipping and storage temperature range -20 to 55°C Humidity range 10% to 90% rh, non-condensing
Control form	on/off	Approvals	: CE mark, complying with standards EN60730-1 (1995), EN55014-1 (1997), EN55014-2 (1996).
Differential	: 0.6 K		

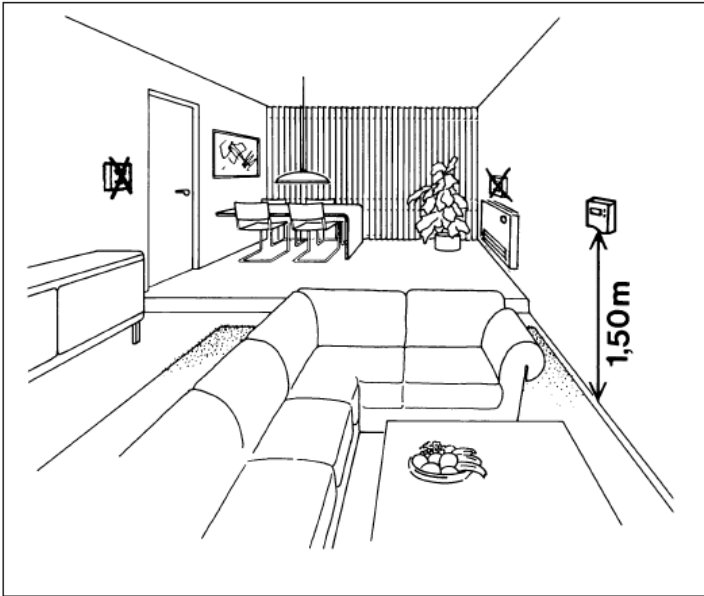
DIMENSIONS



ORDERING SPECIFICATION

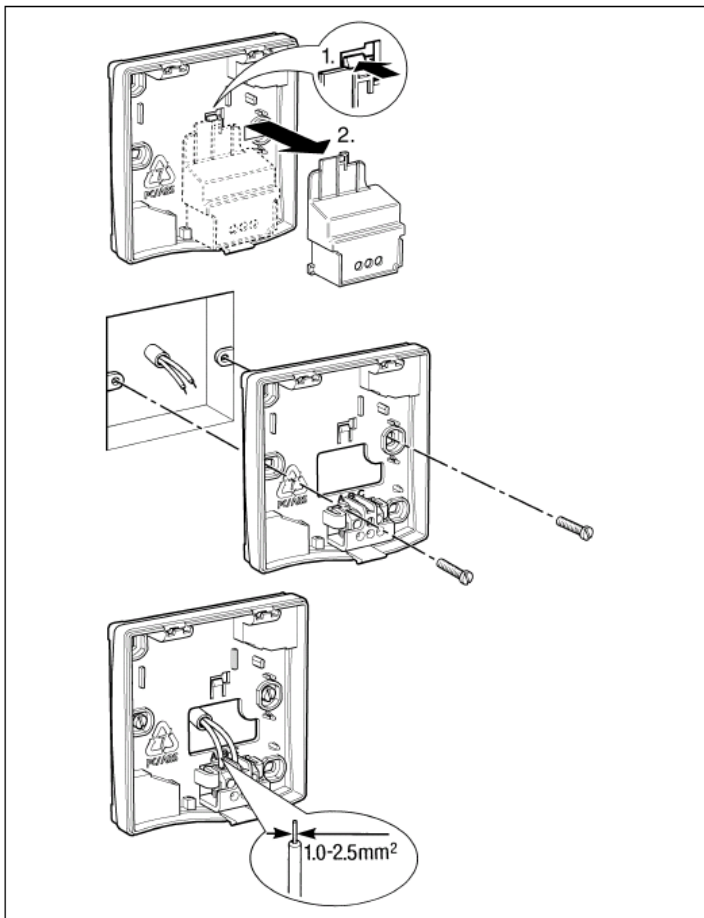
Model	Logo	Carton	Literature
T6620B1024	Honeywell	Printed (black & red)	Language free

INSTALLATION



LOCATION

The T6620B is the temperature control element in the heating/cooling system. It **MUST** therefore be located in a position with good air circulation at average room temperature on an inside wall 1.5 meters above the floor level. Do not position the electronic thermostat near sources of heat (radiators, hot air vents, TV or lights), near doors or windows, or in direct sunlight.



MOUNTING

The T6620B thermostat can be mounted directly on the wall or on an electrical wall-box.

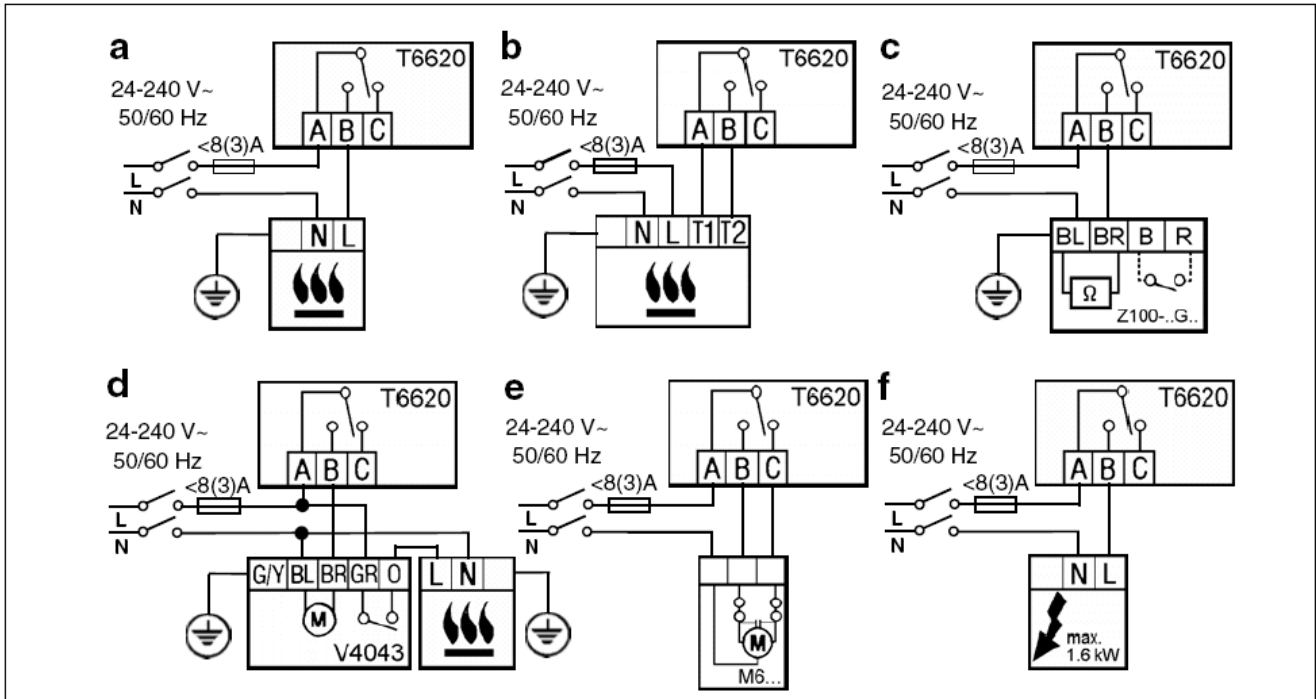
WIRING

The T6620B is designed for fixed wiring only and must be installed in accordance with latest I.E.E. regulations. Ensure the wiring connection to the supply is via a fuse rated at no more than 8 amps and a Class "A" switch (having contact separation of at least 3 mm in all poles).

IMPORTANT

1. *The installer must be a trained service engineer*
2. *Disconnect the power supply before beginning installation*

WIRING EXAMPLES



Honeywell

Honeywell Control Systems Limited
 Newhouse Industrial Estate
 Motherwell ML1 5SB
 United Kingdom

<http://europe.hbc.honeywell.com>