



RAA10C Fan Coil Thermostat with concealed set point knob.



RAA20U Room Thermostat with exposed set point knob.



RAA30U Room Thermostat with On/Off selector switch.



RAA40 Room Temperature Thermostat with Heat/Cool/Off selector switch.

Description

Designed for simple heating or cooling or heating/cooling applications, the RAA... Electric Room Thermostats are an attractive and economical solution that is based on two-wire, gas membrane technology.

The RAA... Electric Room Thermostats are available in single scale Fahrenheit or Celsius models, except the RAA10, with models for dry wall or electrical wall box mounting. Models are designed for wall box mounting includes wall box plate adapter and screws.

- Two-point control algorithm for on/off control
- 24...120, 277 Vac line
- Two mounting styles: electrical wall box or drywall
- Dual Fahrenheit/Celsius scale

Options

- Tamperproof cover (concealed set point knob)

Applications

The RAA... Electric Room Thermostats are typically used in public buildings, storage rooms, entrance hallways and maintenance rooms where two-position (On/Off) control is required.

Descriptions of models are as follows:

RAA10... model is a heating or cooling only thermostat that has a concealed set point knob for use in areas where set point adjustment is limited to authorized personnel. Typical applications are frost and overheat protection and temporary heat for buildings under construction.

RAA20... model is a heating or cooling only thermostat that has an external set point knob for occupant adjustment.

RAA30... is a heating or cooling only thermostat that has an external set point adjustment knob with an On/Off switch.

RAA40... is a heating and cooling thermostat with an external set point knob and a selector switch for Heat/Cool/Off.

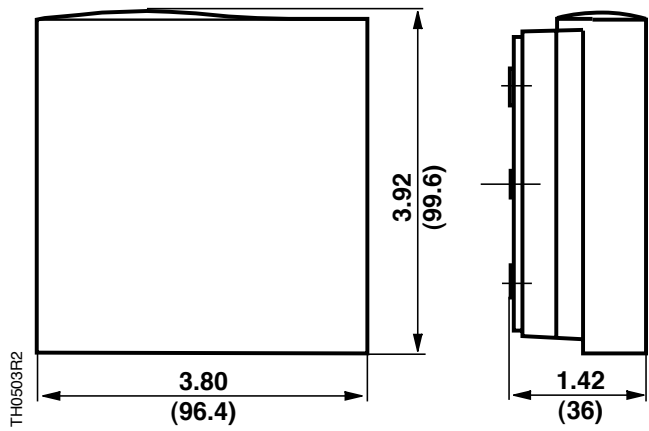
Note:

ARG 70 wall plate is required in order to be UL compliant for switching line voltage.

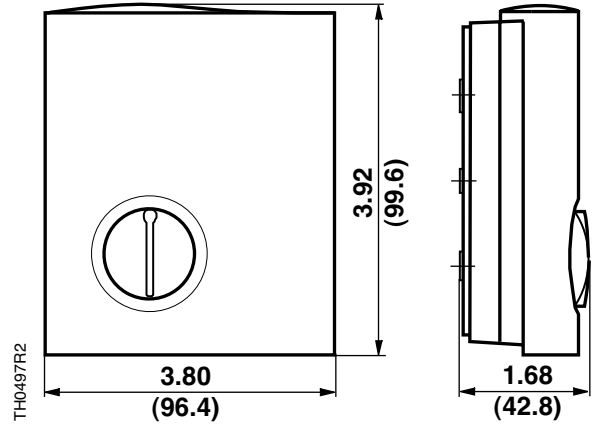
The RAA... Room Thermostats are designed for either simple heating or cooling or for 2-pipe heating and cooling systems where fan control is not required.

features

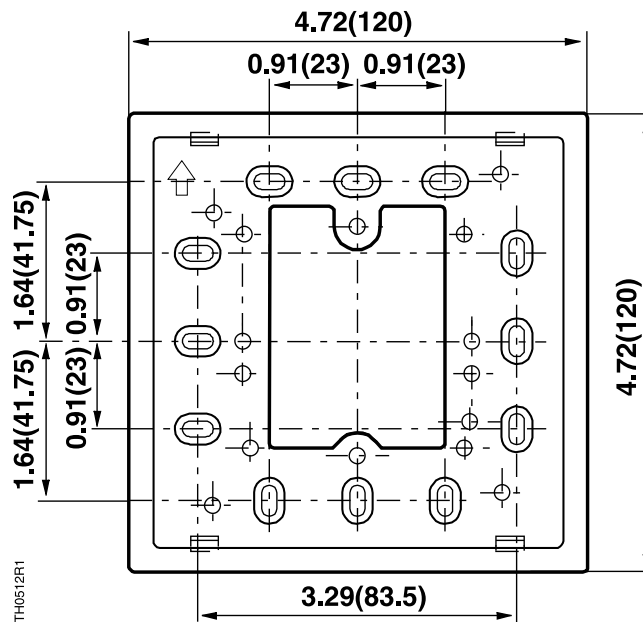
RAA10... Thermostat



RAA20... Thermostat



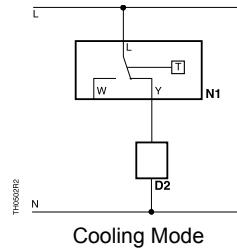
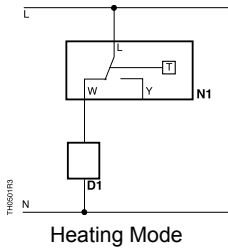
Wall Plate for Mounting



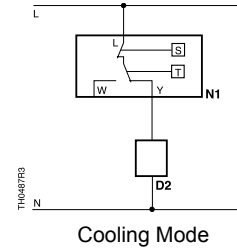
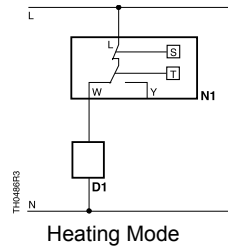
Dimensions shown in inches (mm).

Engineering Drawings

Wiring Diagrams

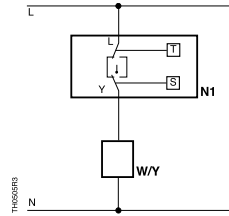


RAA10.../RAA20...



RAA30...

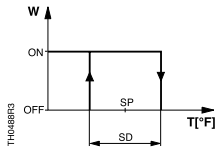
- Key**
- D1 Heating device
 - D2 Cooling device
 - L Operating voltage
 - N Neutral
 - N1 Room thermostat
 - S On/Off switch
 - T Thermostat
 - W Heating control output
 - Y Cooling control output



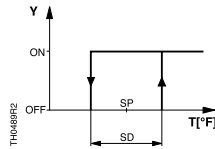
- Key**
- L Operating voltage
 - N Neutral
 - N1 Room thermostat
 - S Heat/Off/Cool switch
 - T Thermal switch
 - W/Y Heating/Cooling device

RAA40...

Operating Diagrams



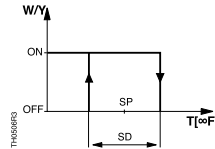
Heating Mode



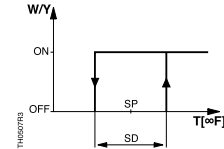
Cooling Mode

RAA10..., RAA20...
and RAA30

- Key**
- T Room temperature
 - SD Switching differential
 - SP Room temperature set point
 - W Heating output signal
 - Y Cooling output signal



Heating Mode



Cooling Mode

RAA40...

- Key**
- T Room temperature
 - SD Switching differential
 - SP Room temperature set point
 - W/Y Heating or cooling output signal