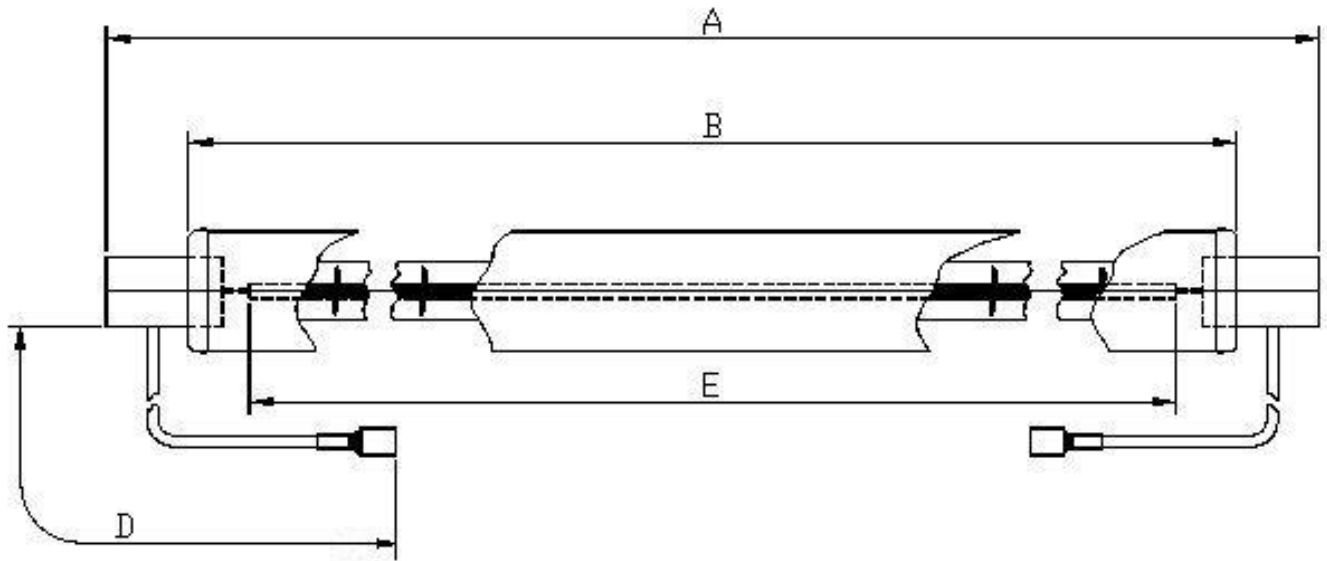


Victory Lighting Product Data Specification

Product Code: 54241037
Issue No: 4
Issue Date: 8 April 2004



Dimensions

A	526±2	E	460 nom
B		F	
C		G	
D	80±5	H	

All dimensions in mm unless otherwise stated

Technical Data

Volts	240	Colour Temp	
Watts	1000	Life	5000
Lumen/Watt	4-6	Burning Position	Universal
Finish	Ruby jacket	Leads	Double ins
Cap	Sk15		

- Use pumped lamp 2401000F510
- Cap: Ceramic 2 part. Code no 172291
- Leads Double insulated with Davico Terminals. Code no 205080
- Ruby Quartz jacket. Code no 205234
- Lamp to be Dunched
- **When assembling lamp and ruby jacket apply silicon grease to both pinches before cementing**
- Crop length 520

240v 1000w Ruby jacketed IR Lamp	Authorised By
----------------------------------	---------------