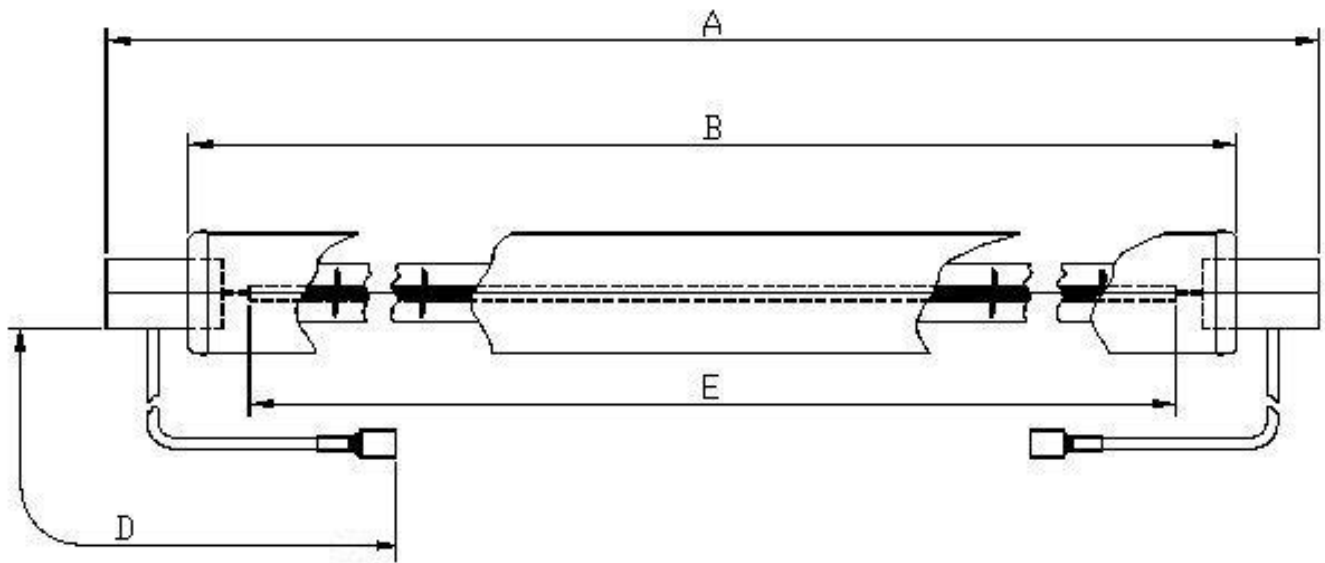


# Victory Lighting

## Product Data Specification

Product Code: 6424153B  
 Issue No: 2  
 Issue Date: 17 June 2004



Dimensions

A	784±2	D	170±5
B	744 nom	E	720 Nom

All dimensions in mm unless otherwise stated

### Technical Data

Volts	240	Colour Temp	n.a
Watts	1500	Life	5000
Finish	Ruby Jacket	Burning Position	Universal
Cap	Sk15		

Cap: Ceramic.

Lead: PTFE insulated with silicon impregnated glass fibre sleeve, 'Davico' terminal.

240v 1500w Ruby Jacketed IR Lamp	Authorised By
----------------------------------	---------------